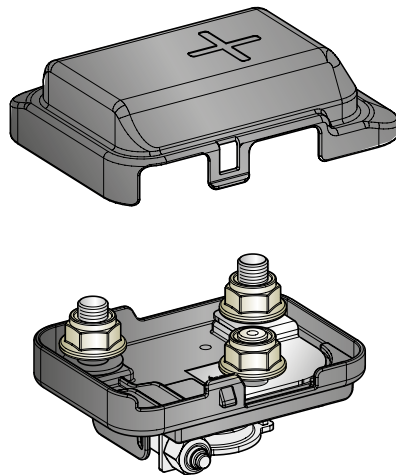
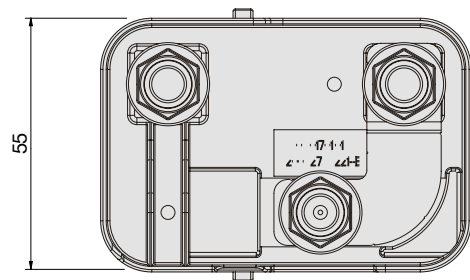
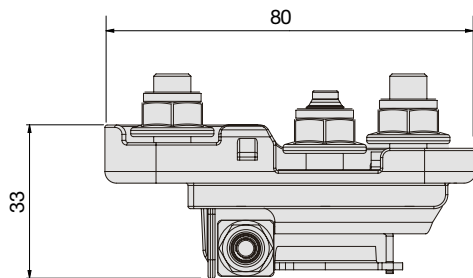


CBA J81 L4



1

IMG	DESCRIPTION	P/N	M.O.Q.
1	PRE-MOUNTED HOUSING FOR 1 MEGA/POWERVAL WITH COVER AND BATTERY TERMINAL	0101703	1



CONNECTIONS AND FIXINGS



CBA J81 L4